

PANEL GRIP II NARROW
(4 1/8" H X 2 1/2" W)
CONTINUOUS ALUM.

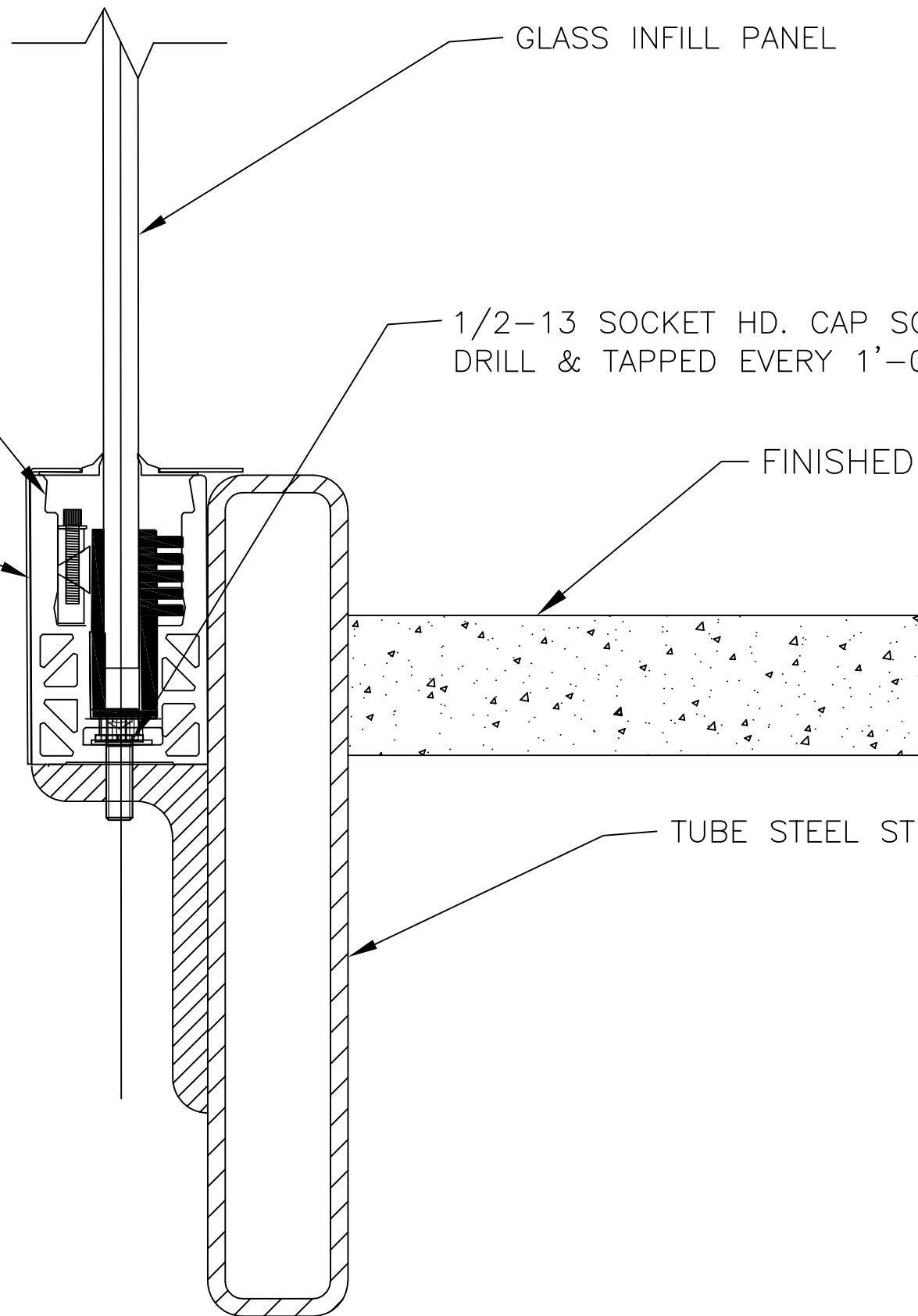
CONTINUOUS ALUM. OR
ST.STL.CLADDING
@ BOTH SIDES

GLASS INFILL PANEL

1/2-13 SOCKET HD. CAP SCREW
DRILL & TAPPED EVERY 1'-0" O.C.

FINISHED TREAD

TUBE STEEL STRINGER



Hollaender[®]

STRUCTURAL ENGINEERING GROUP

10285 WAYNE AVENUE

CINCINNATI, OH 45215-6399

PHONE: (800) 772-8800 FAX: (800) 772-8806

WWW.HOLLAENDER.COM

**PANEL GRIP II DRY SET BASE SHOE MOUNTED DRILL & TAP
TO SHELF ANGLE ON TUBE STRINGER**