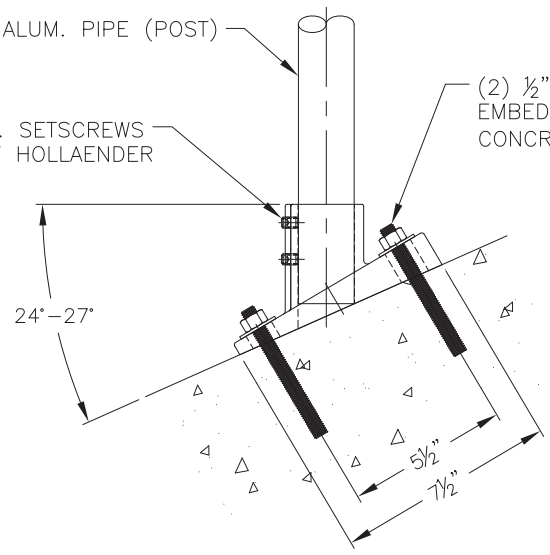


1 1/2" SCH 80 ALUM. PIPE (POST)

(2) 3/8" SST. SETSCREWS PROVIDED BY HOLLAENDER

(2) 1/2" CHEMICAL ANCHOR 2 3/4" MINIMUM EMBED PROVIDED BY OTHERS. MINIMUM CONCRETE THICKNESS OF 3 3/4".



**Hollaender**®

STRUCTURAL ENGINEERING GROUP  
 10285 WAYNE AVENUE  
 CINCINNATI, OH 45215-6399  
 PHONE: (800) 772-8800 FAX: (800) 772-8806  
 WWW.HOLLAENDER.COM

#46AF4-8 ANGLE BASE FLANGE  
 CONCRETE DETAIL