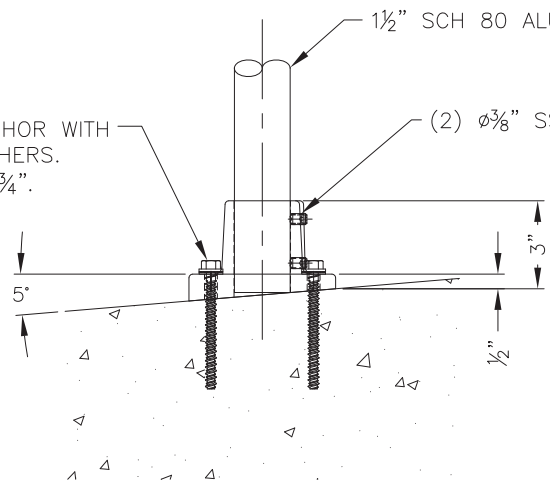


(4) 3/8" STAINLESS STEEL SCREW ANCHOR WITH
3" MINIMUM EMBED PROVIDED BY OTHERS.
MINIMUM CONCRETE THICKNESS OF 4 3/4".

1 1/2" SCH 80 ALUM. PIPE (POST)

(2) 3/8" SST. SETSCREWS PROVIDED BY HOLLAENDER



Hollaender[®]

STRUCTURAL ENGINEERING GROUP

10285 WAYNE AVENUE
CINCINNATI, OH 45215-6399

PHONE: (800) 772-8800 FAX: (800) 772-8806
WWW.HOLLAENDER.COM

45SBCS-8 SQUARE BASE FLANGE
1:12 SLOPE CONCRETE DETAIL